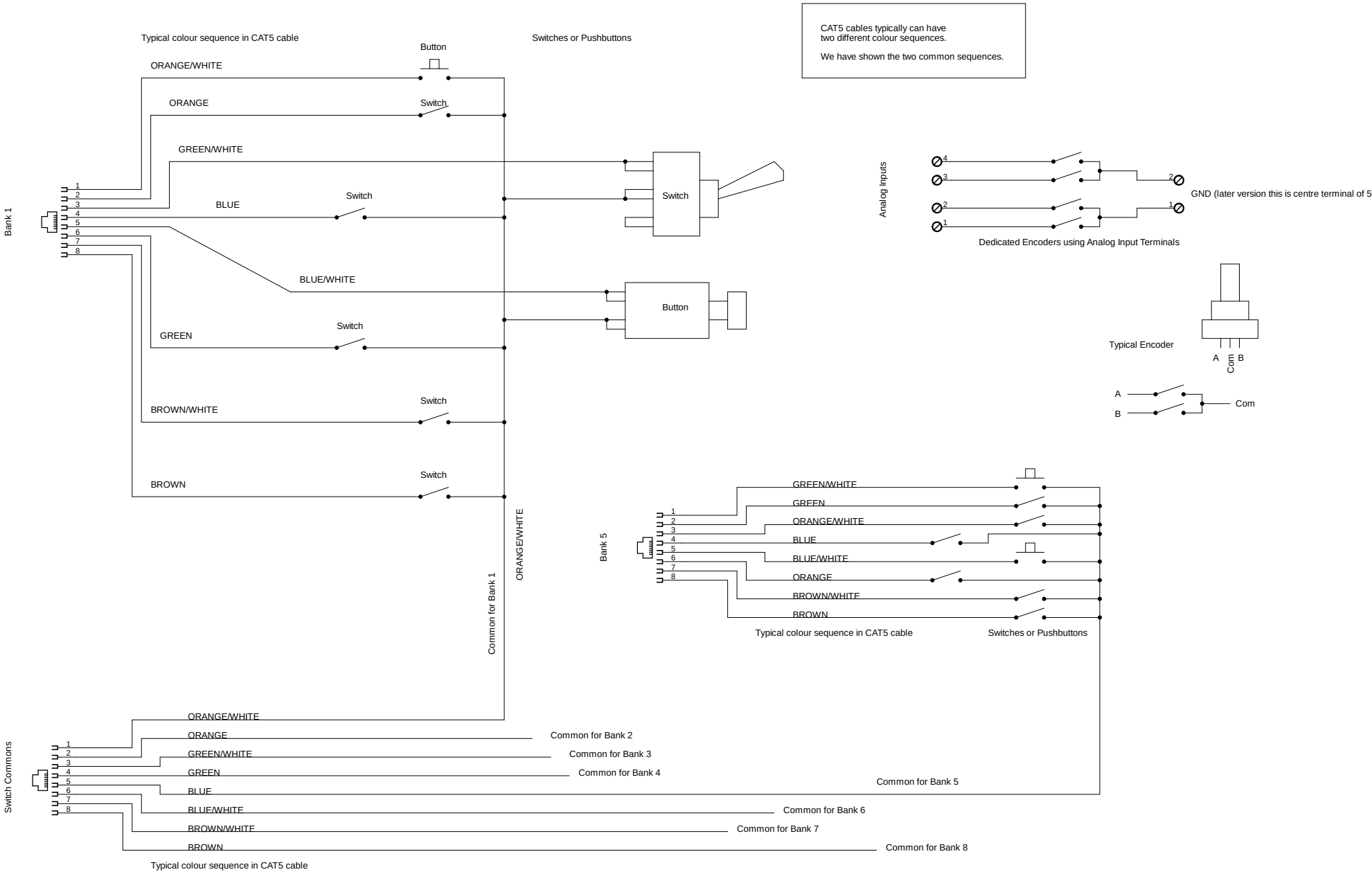


Typical Connections (With Switches)



CAT5 cables typically can have two different colour sequences. We have shown the two common sequences.